



# ALL IN ONE SOLAR STREET LIGHT

Lights Up

**365**

Days



# PRODUCT SPECIFICATIONS



Motion Sensor



Lithium Battery



12 Hrs/Day  
150 LM/W

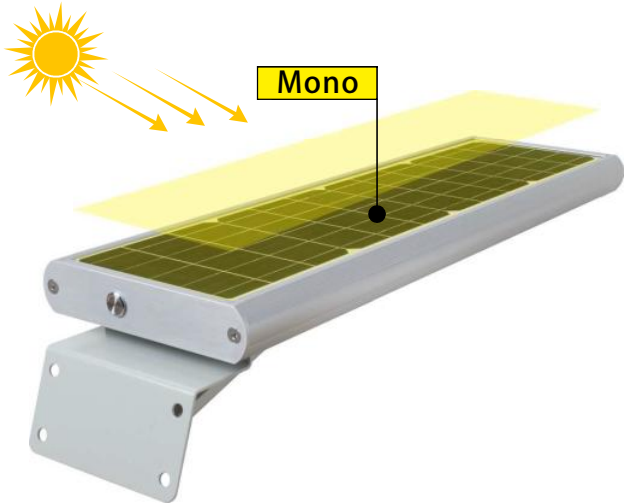
## Light Pole Diameter



Ø60~Ø110



## Solar Charge Controller



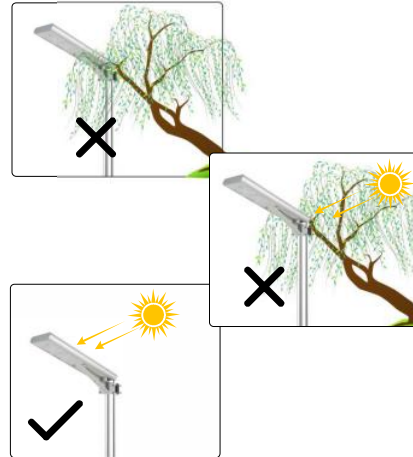
Model	VS-AIO-1931-15W/20W/30W/40W/50W				
Power W	15W	20W	30W	40W	50W
Solar panel	15W/10V	20W/10V	30W/10V	40W/10W	40W/10W
Battery	6.4V 10Ah	6.4V 12Ah	6.4V 18Ah	6.4V 24Ah	6.4V 10Ah
CCT K	3000K-6000K				
Motion sensor	Motion sensor available				
Efficiency	150lm/W				
Beam angle	70°*150°				
Working time	12hrs 365days				
Housing	aluminum				
Installation method	wall / pole				
N.W kg	5.0	5.8	6.3	6.8	7.3
Luminaire Size mm	650*204*130	745*204*130	900*204*130	685*368*43	838*368*43
Inner box size mm	660*245*165	755*245*165	910*245*165	760*250*170	920*250*170

### HOW THE SOLAR LIGHT WORKS:

During the daytime, the solar panel converts sun power into electricity and charging the battery. At night, the light turn on automatically using the electricity stored in the battery.

### PRECAUTION:

Please install in a sunny place where it can receive direct sunlight for at least 6~8 hours each day , avoid installation near a tree which creates overcast on solar panel, or it will affects the charging effect. Any shadow or overcast on solar panel during the day impact the effective charging of battery. Then the brightness will be changed when battery power is low. The selected locations should not be near lights, otherwise maybe cause the solar light to turn off prematurely.

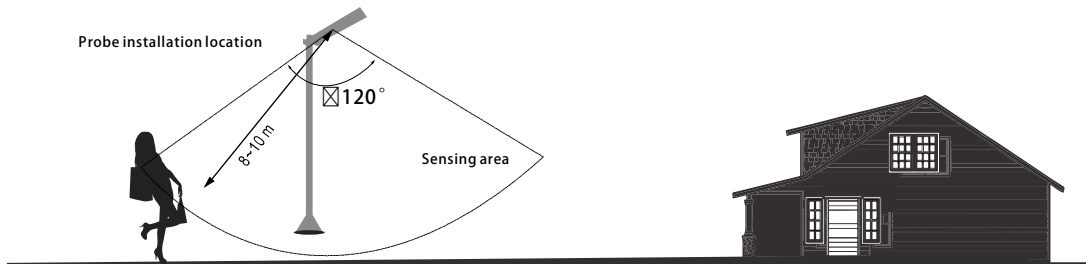


### ATTENTION FOR THE USE OF THE FIRST TIME:

When you get the solar light, the battery is only 50%-60% full charge because of shipping. So we suggest you please open the switch and then place the solar light in a location where it can receive a full 6-8 hours of sun power to recharging the battery to reach maximum capacity, and then to install the solar light where you want.

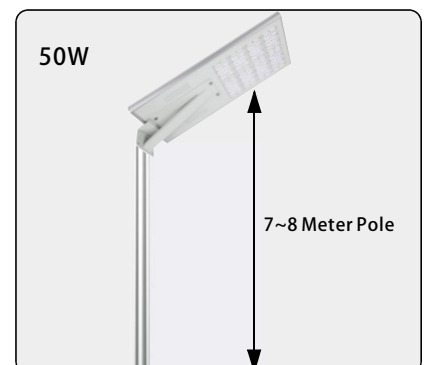
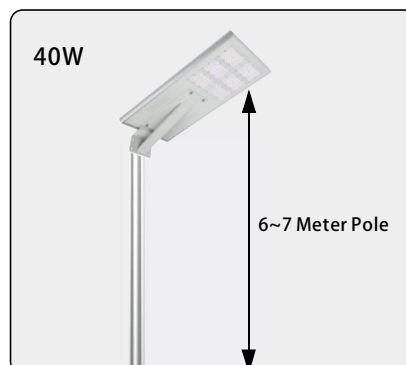
### MOTION SENSOR INDUCTIVE RANGE DIAGRAM:

When install the solar light, please adjust the angle of the solar light. Please use the degree locator(screw) and adjust the sensor accordingly. Each degree (direction) will affect the coverage area of targeted location, so adjust accordingly for optimum performance.

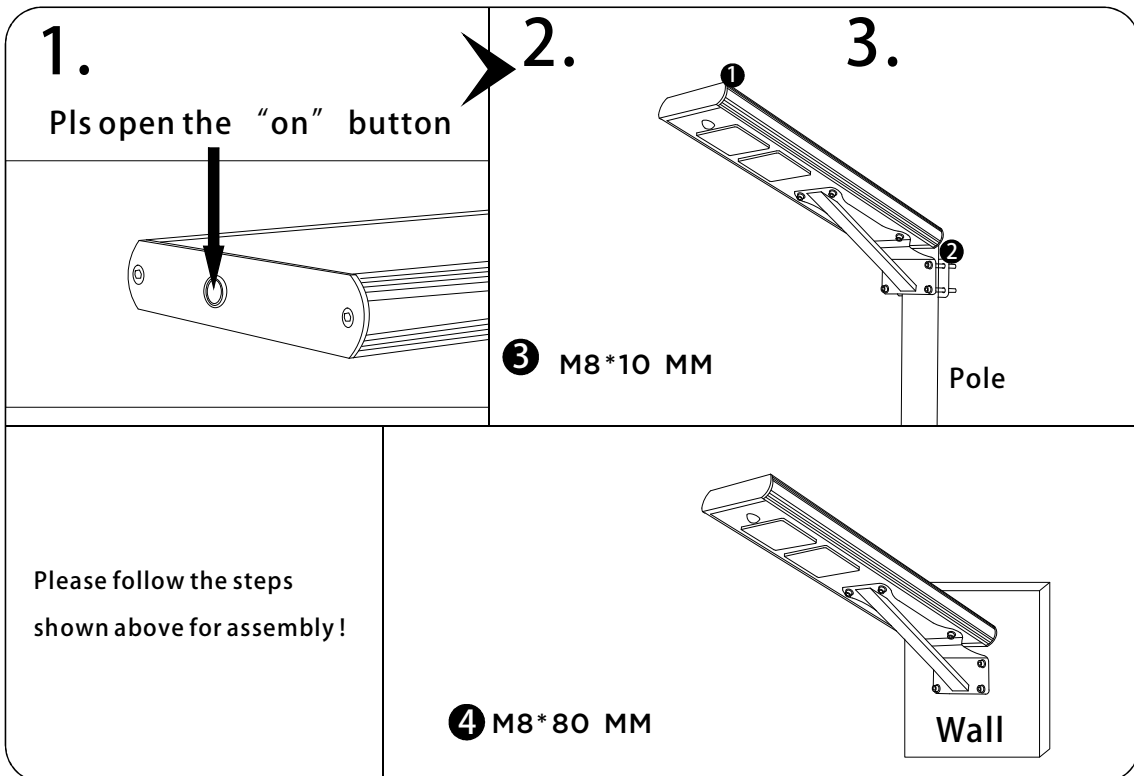
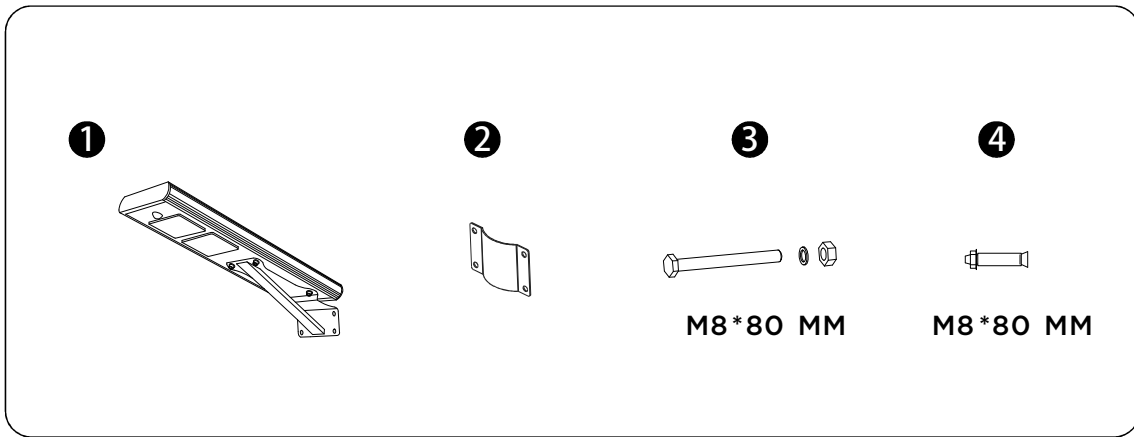


### RECOMMENDED INSTALLATION HEIGHT:

According to the optical test results of our products, we will recommend different installation heights for different models of our products, but the actual installation heights should be changed according to your local sunshine.



**INSTALLATION STEPS:**



**TROUBLESHOOTING:**

- If the light does not turn on at dusk after 6-8 hours of charging
- \*Ensure that the solar light is in a bright sunny location and not in a shadow area during the daytime when charging.
- \*Make sure that the light's photocell or solar panel is not affected by other light sources at night.
- \*Make sure that the solar light fixture is turned ON.