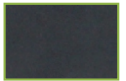


# LED Flood Light

2000W

GLED  
PERU

Color



160lm/w

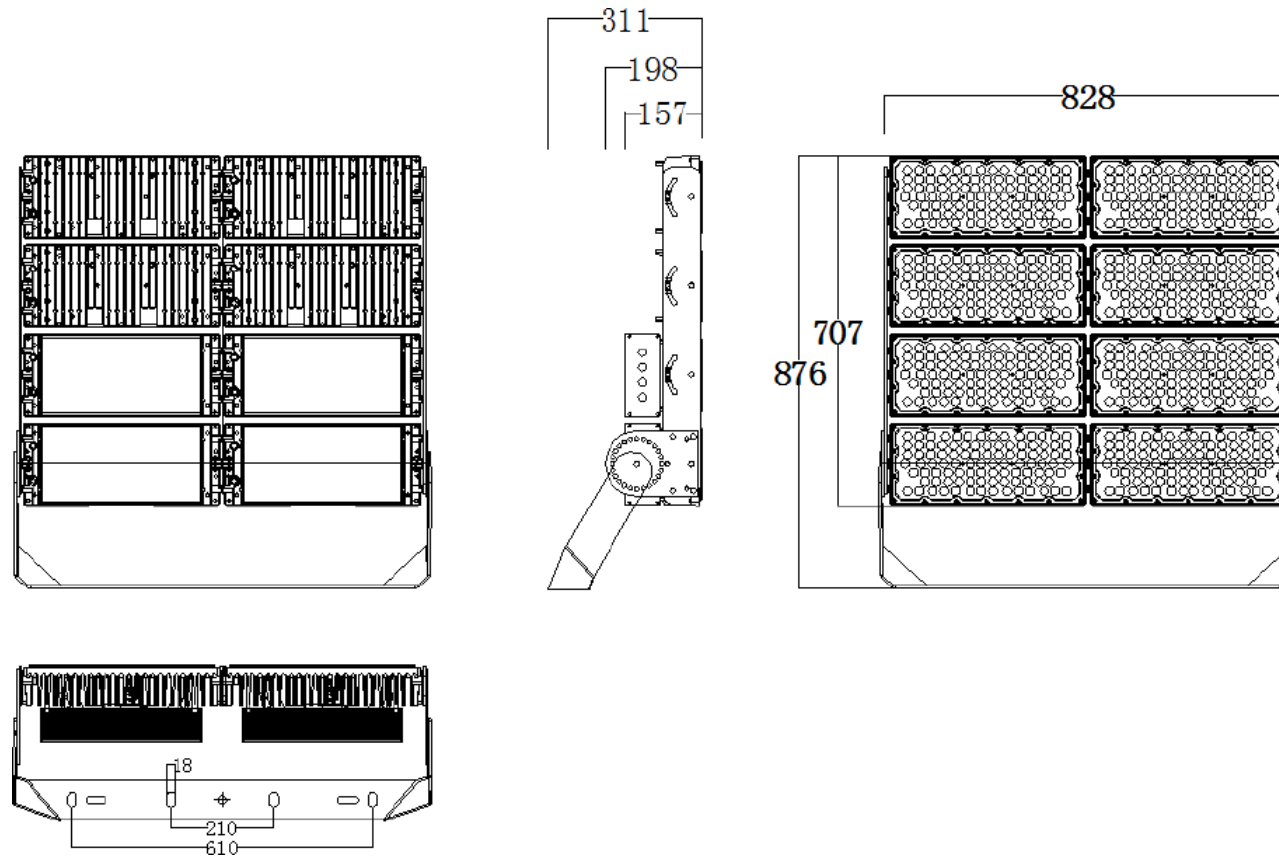
## Advantages

IP66

- Patent private mould, integrated die-casting AL.
- Modular combination available.
- High efficiency, 120lm/W 160lm/W available.
- Glare free lens, lens for 5050 LED: 10°/25°/60°, lens for 3030LED: 60°/120\*150°.
- 0/1-10V Dimmable, time control, daylight sensor available. IP
- 



# Dimension



## Application

- Billboard
- Road
- Tunnel
- Bridge and culvert
- Square
- Building

## A: TechnicalParameter

Item No.	GMD-TFTB-2000W	
LampSize	876*828*311mm	
Voltage	AC100V-277V 50/60HZ	
Power	2000W	
LED Type	Lumileds 5050	
LED Quantity	784pcs	
Power Factor (PF)	>0.9	
IP Rank	IP 66	
Luminous Flux	Lumileds 5050	320 000LM
Color Temperature (CCT)	Warm white	2800-3500K
	Neutral white	3800-4500K
	Cool white	5500-6500K
Beam Angle	Lumileds 5050	10° /25° /60°
Color Rendering Index (CRI)	Ra>70	
Power Supply Efficiency	>90%	
LED Luminous Efficiency	160lm/W	
Total Harmonic Distortion (THD)	≤15%	
Net Weight	27kgs	

# Technical Specification

## B: Mechanical Specifications

LED Driver	MEANWELL (ELG-240-36A)*8
Housing Processing	Die-Casting
Material	ADC12

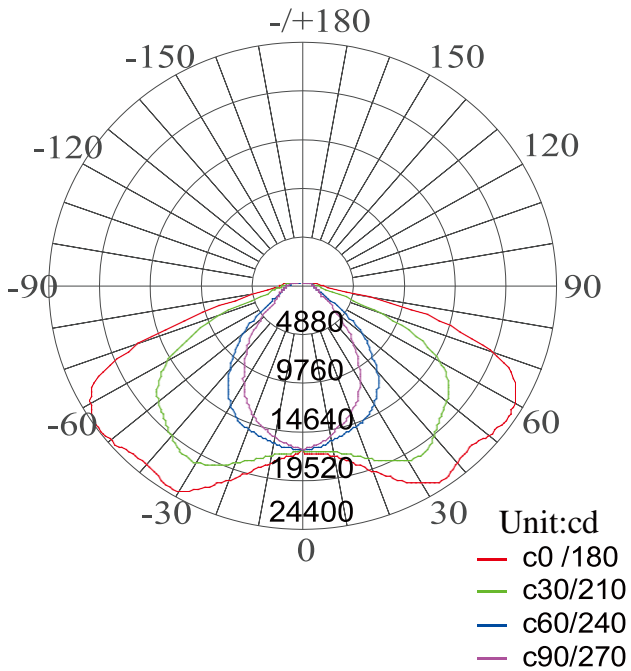
## C: Environmental

Temperature Range Operating	-40℃ ~ 50℃
Humidity Range Operating	10% ~ 90%
Temperature Range Storage	-40℃ ~ 70℃
Humidity Range Storage	10%- 90%

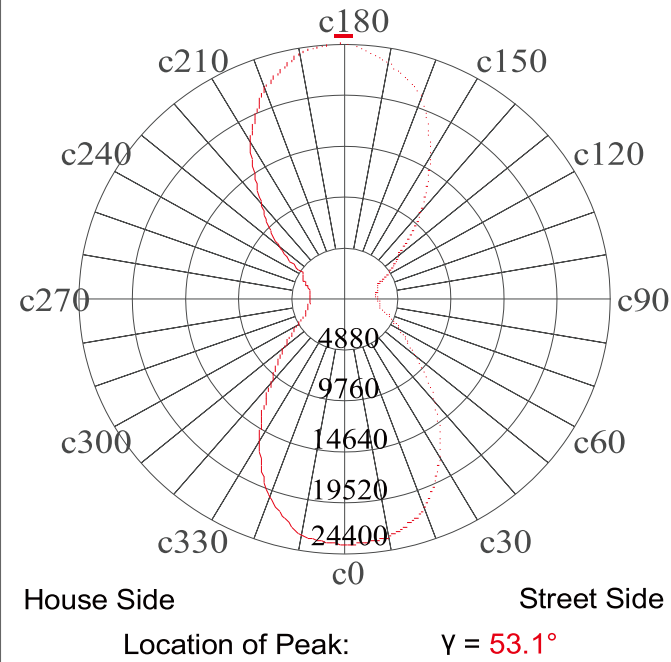
# Luminous Intensity Distribution



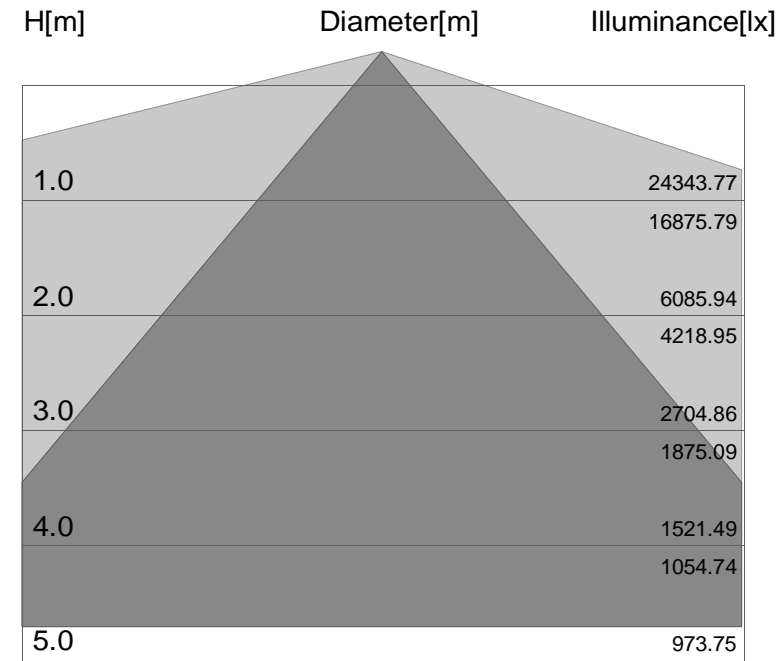
Distribution Curve of Meridian



Conical Intensity Distribution Curve of Max Intensity



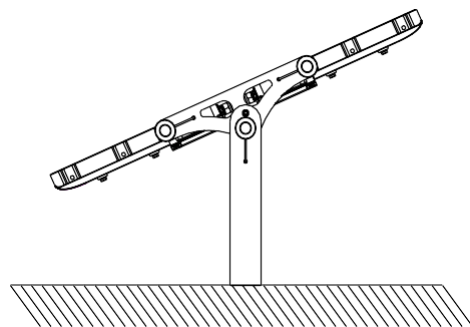
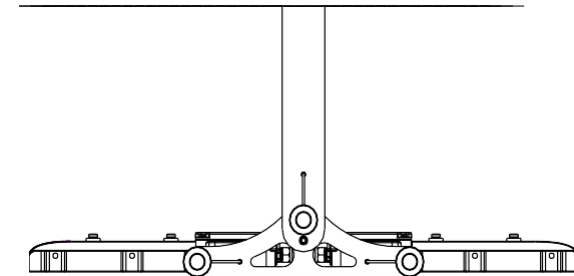
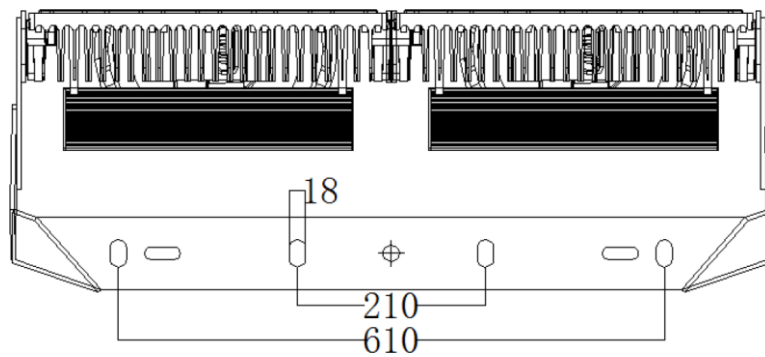
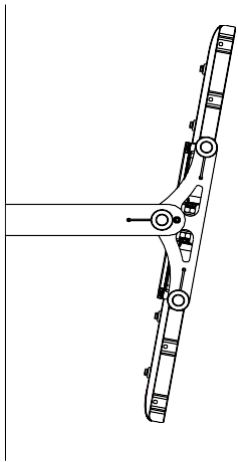
Illumination Cone Curve



675.03

- C0-C180
- C90-C270

# Installation



## With support frame

Fix the bracket on the wall by screws and then adjust the lamp body to proper orientation.